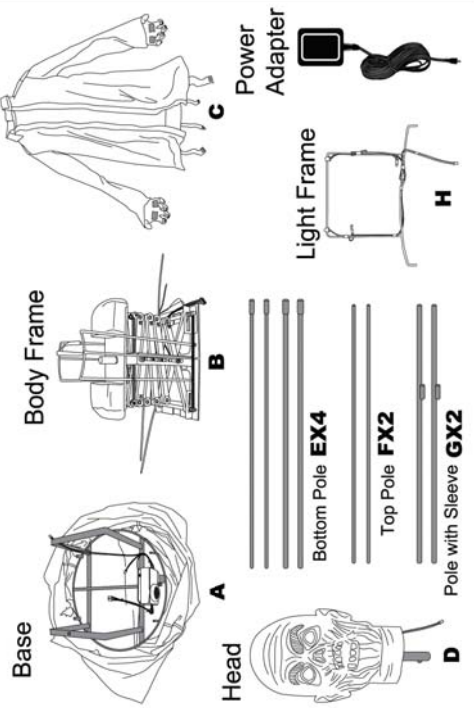
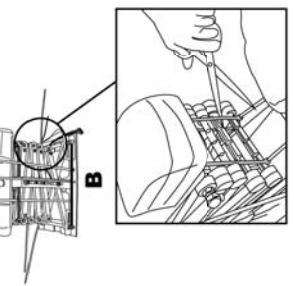


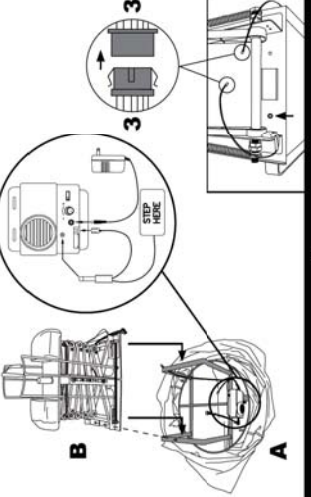
# 1 Components



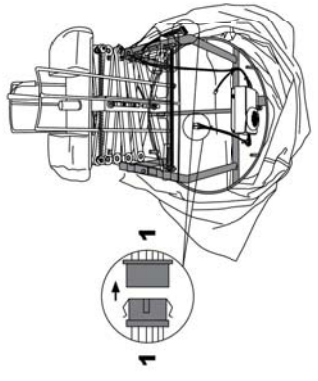
**2** Remove all labelled zip ties (9 in total) before assembly. Use caution when cutting the zip ties. Be sure not to cut any of the electrical wires.



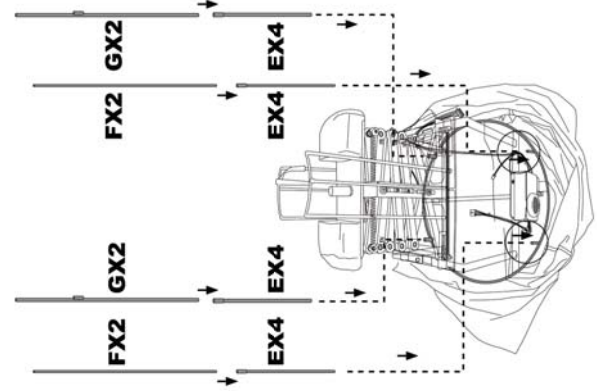
**3** Slide the body frame onto the base. Be sure to match the tabs on the body frame to the grooves on the base until the pin ball on the base matches up with the hole on the body frame. Connect the two wires labeled number "3".



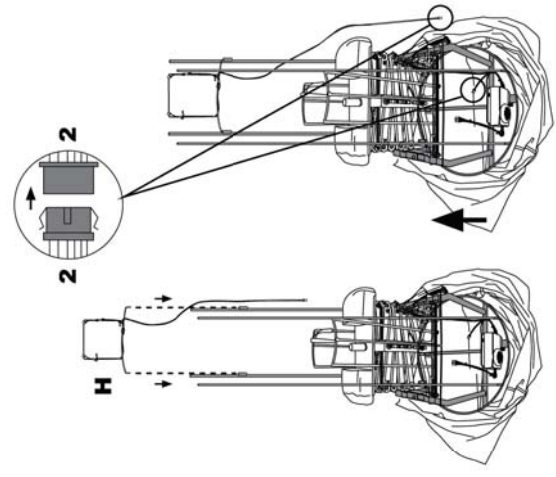
**4** Connect power cable with "1" labelled on the connectors.



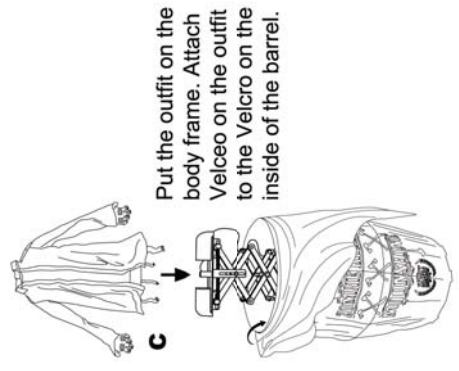
**5** Attach EX4 poles into base. Attach GX2 poles into the front 2 EX4 poles. Attach FX2 poles into the rear 2 EX4 poles.



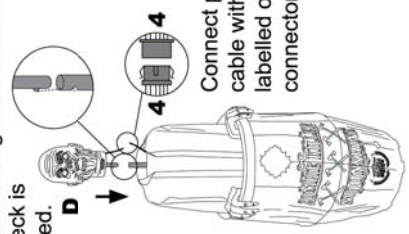
**6** Attach light frame onto GX2 poles. Connect power cable with "2" labelled on the connectors. Lift the barrel cover and attach the poles to the top of the barrel.



**7** Attach the Velcro on the neck to the Velcro on the collar of the outfit. Attach the Velcro on the hands to the Velcro on top of the barrel.



**8** When attaching the head, make sure the locking mechanism on the neck is secured.



Connect power cable with "4" labelled on the connectors.

**9** Attach the power adapter to the speaker box located at the back of the prop. For motion / voice activation, please put the power switch in the "ON" position. For the optional Step Pad / Try Me button sold separately, please put the power switch in the "OFF" position. Although it is in the "OFF" position, the prop will still activate if the step pad or try me button are activated.

